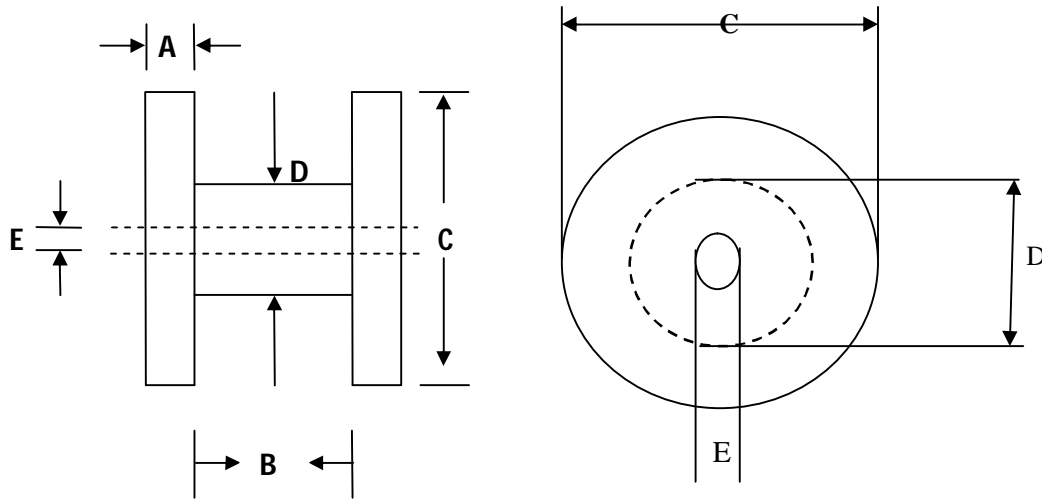


DIMENSIONS & CAPACITY OF WOODEN SPOOLS



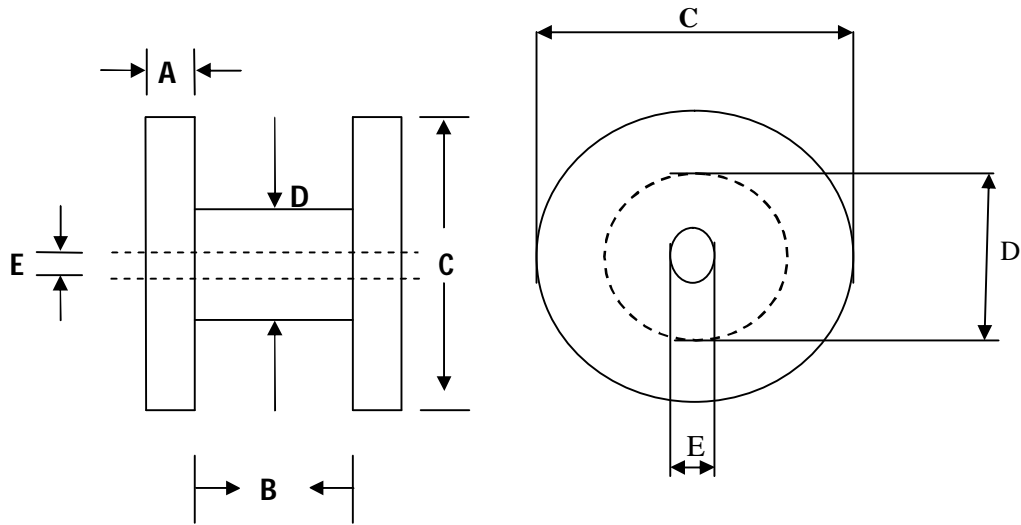
Dimension of Spools (WOODEN)

Sl. No	Dimension Of Spools	A		B		C		D		E	
		mm	Inch	mm	Inch	mm	Inch	mm	Inch	mm	Inch
01	16"	17	0.67	200	8.00	410	16	236	9.3	40	1.58
02	18"	20	0.78	200	8.00	445	17.5	254	10	40	1.58
03	20"	20	0.78	200	8.00	510	20	284	11.1	40	1.58
04	22"	20	0.78	240	9.40	560	22	280	11	40	1.58
05	24"	20	0.78	254	10.00	610	24	280	11	40	1.58

Capacity of Spools Copper & Aluminium(WOODEN)

Sl. No	Dimension Of Spools	Copper		Aluminium	
		Min Qty in Kgs	Max Qty in Kgs	Min Qty in Kgs	Max Qty in Kgs
01	16"	45	55	15	18
02	18"	65	75	22	25
03	20"	95	105	32	35
04	22"	140	150	46	50
05	24"	200	210	66	70

DIMENSIONS & CAPACITY OF PLASTIC SPOOLS

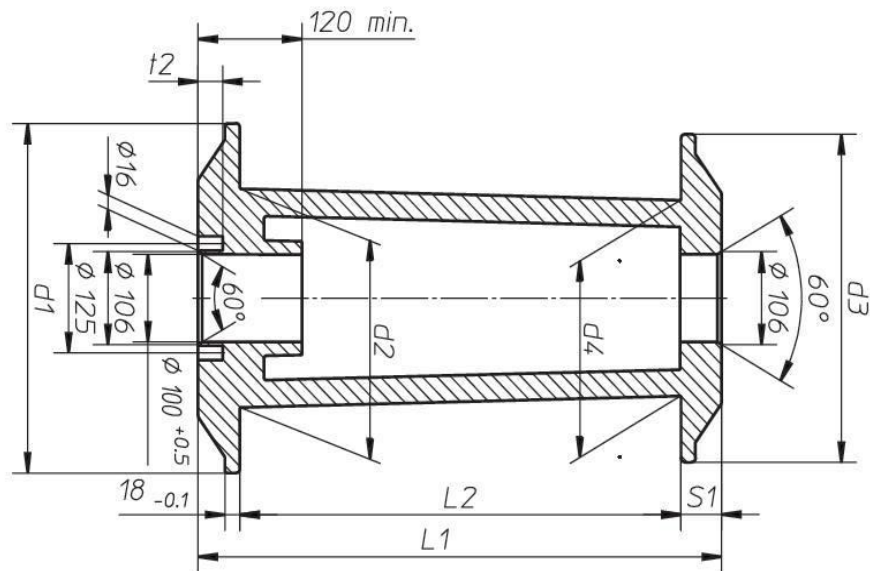


Dimension of Spools(PLASTIC)

Sl. No	Dimension Of Spools	A		B		C		D		E	
		mm	Inch	mm	Inch	mm	Inch	mm	Inch	mm	Inch
01	10"	15	0.59	122	4.80	254	10	110	4.3	40	1.58
02	16"	17	0.67	254	10.00	410	16	236	9.3	40	1.58
03	20"	20	0.78	254	10.00	510	20	284	11.1	40	1.58

Capacity of Spools Copper & Aluminium(PLASTIC)

Sl. No	Dimension Of Spools	Copper		Aluminium	
		Min Qty in Kgs	Max Qty in Kgs	Min Qty in Kgs	Max Qty in Kgs
01	10"	15	18	06	08
02	16"	60	70	25	35
03	20"	125	150	35	55



PT-90 PLASTIC SPOOLS

d1=Flange Dia(300/315 Dia)
d2=Barrel Dia(180/200Dia)
d4=Bore Dia (100Dia)
L1=Overall Length (550mm)
L2=Transerve Length(425mm)
 Capacity - 80 to 90Kg(CU)